

LGate 320

COMMERCIAL SOLAR MONITORING SOLUTION

The LGate 320 is a three-phase electronic watt-hour meter for remote monitoring of solar photovoltaic systems. It features a smart communications module to automatically transmit meter data over cellular or Ethernet networks allowing system owners and operators to easily manage distributed solar assets.



The LGate 320 combines a revenue-grade, solid-state power meter with an advanced communications gateway. These components work in conjunction to remotely monitor the performance of commercial solar energy installation regardless of panel or inverter type. The LGate 320 is a one-piece completely under glass meter which installs easily using a standard socket base. Performance data is uploaded in near real-time to the Locus Energy Solar-OS™ and SolarNOC monitoring platforms which provide a suite of tools and analytics for asset managers.

DATA COLLECTION

AC energy data is collected by the meter and passed to the communications module. Additional system performance data can be collected directly from meteorological sensors and supported inverters via RS-485 or Zigbee connections. All data is stored in non-volatile memory and then automatically uploaded to the Solar-OS and SolarNOC platforms.

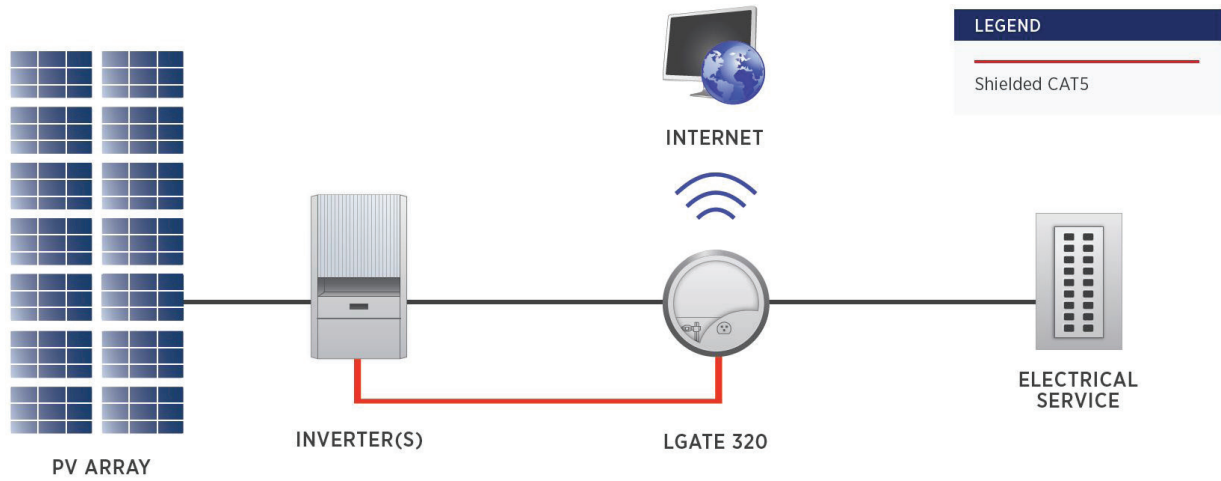
NETWORK CONNECTIVITY

The communications gateway inside the LGate 320 supports plug and play connectivity through a cellular or Ethernet network connection. Once the unit is installed and powered on, it will immediately begin transmitting data without any configuration. For maximum reliability, the communications gateway will automatically route uploads between the wireless and wired connections if either of the networks are unavailable.

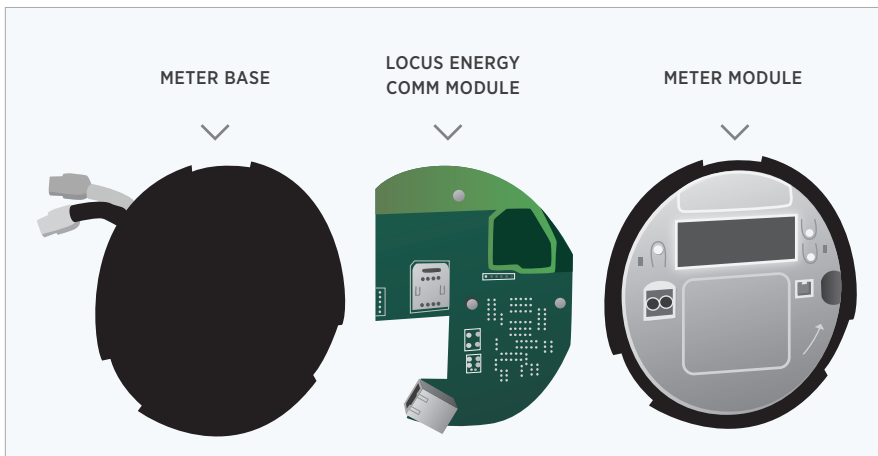
FEATURES

- ANSI C12.20 power meter
- RS-485 and Zigbee inputs
- GSM cellular or Ethernet connectivity
- Over the air firmware updates
- Easy, low cost installation
- Doesn't require entrance into the building
- Plug and play activation
- LCD display

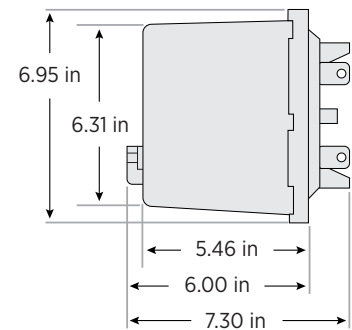
DIAGRAM - TYPICAL CONFIGURATION



DIMENSIONS



SOCKET METER



SPECIFICATIONS

DATALOGGER	
Processor	ARM9 embedded CPU
OS	Custom version of Linux 2.6, OTA firmware updates
Memory	128 MB RAM
Display	LCD screen

I/O	
RS485	2 wire and 4 wire
Modbus	
Zigbee	

COMMUNICATIONS	
LAN	RJ45 10/100 Ethernet, full half duplex, auto polarity
Cellular	3G GSM
Networking	DHCP or static

POWER	
Accuracy	ANSI 12.20 (Class 0.2%)
Voltage Inputs	120 - 480 VAC
Max. Current Input	320 A
Service Type	Three phase, Wye or 4-wire Delta
Socket Type	16S

COMPLIANCE	
ANSI 12.20	class 0.2%
FCC Part 15B	
PTCRB	
AT&T Carrier Compliance	

PHYSICAL	
Enclosure	NEMA 3R Type
Weight	2 lbs 2 oz
Dimensions	6.95" x 6.5" x 7.3"
Environment	-20 to 60C, all-weather
Warranty	5 year limited warranty